



THE **MOBILE FISHERMAN**

ONE & TWO-MAN ICE SHELTERS

Instruction and Safety Manual



MOBILE FISHERMAN- Model #20003A
MOBILE FISHERMAN TWO-MAN - Model #20004A

**Be sure to follow these guidelines for using your Product.
READ AND UNDERSTAND ALL INSTRUCTIONS and WARNINGS FIRST**

©2008 (rev 8/08)

SAFETY MUST BE FIRST PRIORITY WITH USE OF THIS PRODUCT



fig 2



fig 2a



fig 2b

Step 1: Remove Ice Shelter from Back Pack.

Step 2: Unbuckle Quick-Connect (fig 2) and open chair (fig 2a and 2b).

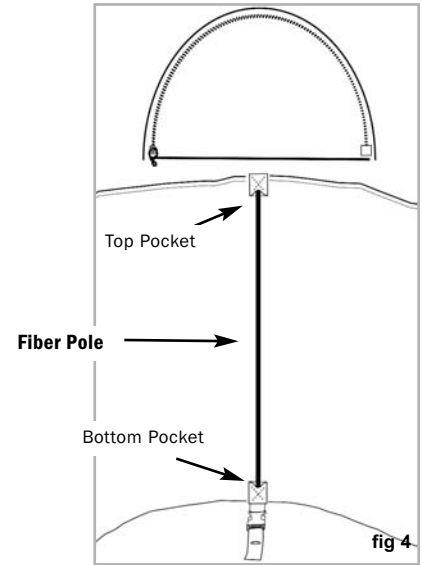


fig 3

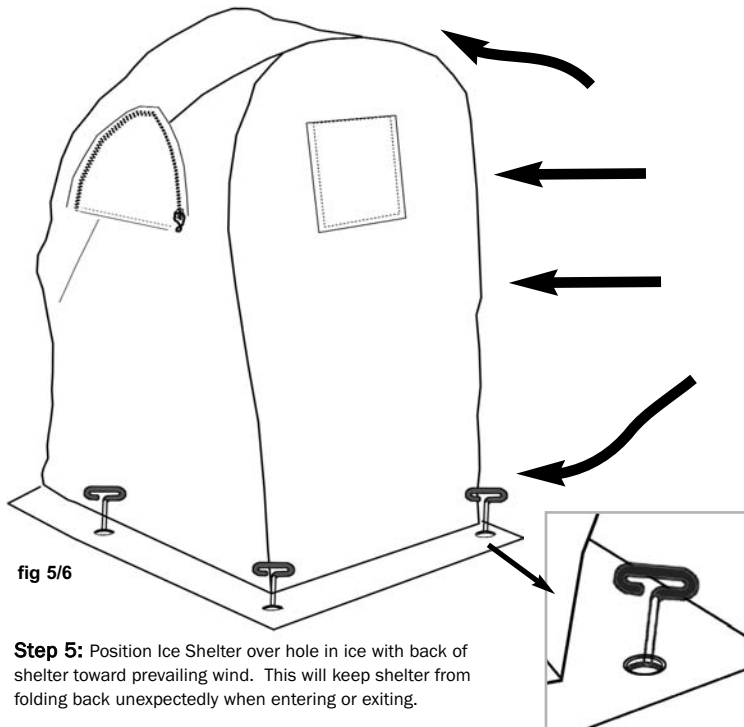


fig 3a

Step 3: Grab steel bands from behind chair and pull forward until blind is fully covering chair (fig 3 and 3a)

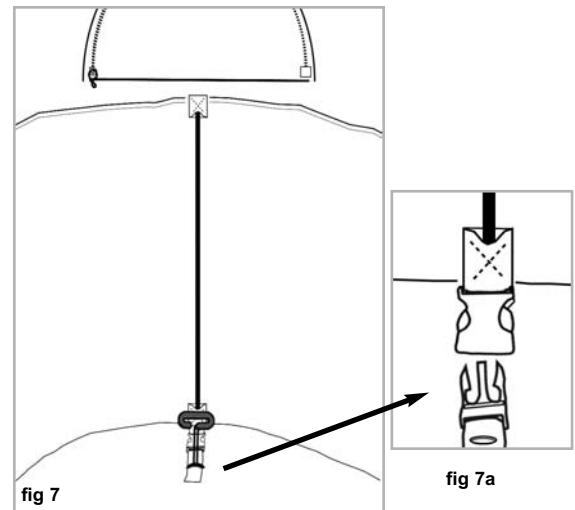


Step 4: From inside shelter, insert fiber pole into pocket located at bottom center below window. Insert other end of fiber pole into top pocket and snap shut.



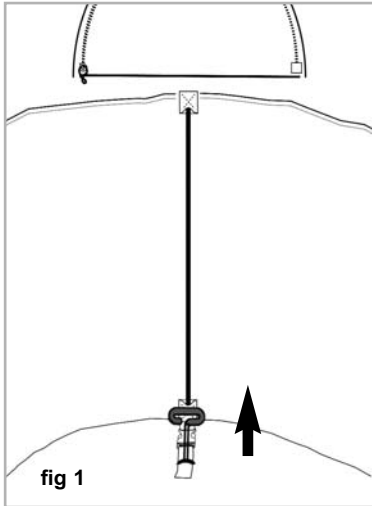
Step 5: Position Ice Shelter over hole in ice with back of shelter toward prevailing wind. This will keep shelter from folding back unexpectedly when entering or exiting.

Step 6: To secure shelter in windy conditions, stake shelter to ice using ice stakes provided. Screw in four ice stakes through grommet holes in rear skirting and into ice.

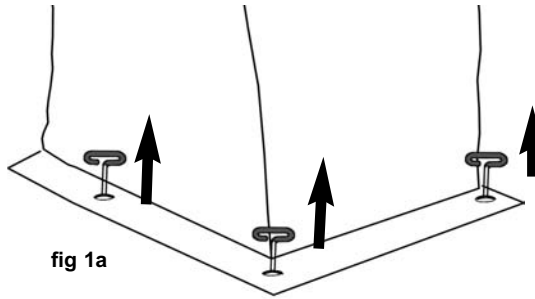


Step 7: Once inside, secure front of shelter with one ice stake to detachable grommet hole located at bottom. Once this is secure, you can enter and exit shanty by unclipping grommet buckle to lift open or shut front of shelter (fig 7a).

! IMPORTANT: Be sure to remove all ice or accumulated snow before beginning take down.



Step 1: Remove Ice Stake from Interior Grommet and fiber pole from front of Shelter then Ice Stakes from Exterior Grommet.



Step 2: Lift front of Shelter up and over back of chair so that shelter falls behind chair (fig 1 and 2).



Step 3: Close chair by pulling up on seat and bring legs together (fig 3).



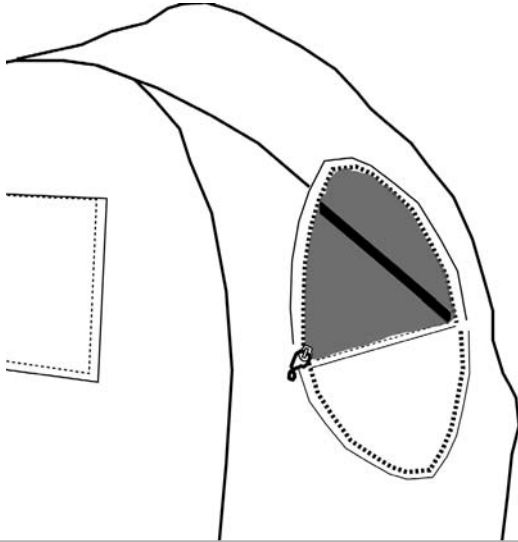
Step 4: Place cinch strap around shelter and snap together to keep Shelter closed (fig 4).

Step 5: Place Ice Shelter into backpack.



PARTS LIST

- 1 Ice Shelter
- 1 Carrying Back Pack Case
- 5 Ice Spikes



The spikes on each of chair feet are designed to keep chair from sliding, but **will not** keep chair secured to ice when not in use.

- ! **MOBILE FISHERMAN CHAIR** - is rated 200 lbs.
- ! **MOBILE FISHERMAN TWO-MAN CHAIR** - is rated 400 lbs.

! WARNING: NEVER use a heater in Ice Shelter without opening one of the side vents to vent fumes.

STORAGE AND TIPS

- Store Shelter in a cool dry place - free of ice, dirt and any debris
- Never store Shelter wet or damp
- Avoid leaving Shelter outdoors for any extended period of time. Prolonged exposure to sunlight may cause fabric to fade
- To stop any leakage, use seam sealer on all seams and silicon spray on seams/sidewalls
- To store your Clear Vinyl Windows, avoid wrinkles and creases that could significantly reduce visibility
- To aid in folding Shelter, be sure the windows are all the way up and secured

CPAI-84 WARNING**WARNING: KEEP ALL FLAME AND HEAT SOURCES AWAY FROM TENT FABRIC.**

This tent meets the flammability requirements of CPAI-84. The fabric may burn if left in continuous contact with any flame source.

This tent is made of flame-resistant fabric. **It is not fireproof.** The fabric will burn if left in continuous contact with a flame source. DO NOT use candles, matches or open flames of any kind in or near a tent; DO NOT cook inside a tent; DO NOT smoke in a tent; DO NOT store flammable liquids inside a tent; build campfires downwind and several meters away from a tent and be sure to fully extinguish campfires before leaving a campsite or before retiring for the night; exercise EXTREME caution when using fuel-powered lanterns or heaters inside a tent and use battery operated lanterns whenever possible; DO NOT refuel lamps, heaters or stoves inside a tent; extinguish or turn off all lanterns before going to sleep. The application of any foreign substance to tent fabric may render flame resistant properties ineffective.

THINK SAFETY !

- NEVER USE A HEATER IN YOUR AMERISTEP® PRODUCT WITHOUT SIDE VENTS OPEN TO VENT FUMES - UNVENTED FUMES COULD CAUSE SICKNESS OR DEATH
- NEVER EXPOSE THIS PRODUCT TO ANY OPEN FLAME. THIS PRODUCT **IS NOT FIREPROOF including Seat Fabric.** Any heaters should be kept away from Shelter Fabric and away from clothing.
- NEVER ALLOW CHILDREN TO PLAY WITH THIS PRODUCT WITHOUT ADULT SUPERVISION
- NEVER ALLOW MATERIAL TO COVER YOUR FACE. IT CAN CAUSE SUFFOCATION AND DEATH
- NEVER ALLOW ANYONE TO USE LIGHTED CANDLES, MATCHES OR OTHER SOURCES OF FIRE NEAR THIS PRODUCT
- **UV (ULTRAVIOLET LIGHT) WARNING:**
Ultraviolet light breaks down lightweight fabric fibers (and almost any synthetic material). The material will fade (discolor), lose strength and eventually disintegrate if left in prolonged sunlight. To extend the life of your Ameristep® product avoid leaving it out in direct sunlight.